

Visualize odors and CO₂ concentration and automatically control ventilation and deodorizing equipment

SMA-OVC-I

Ultimate IAQ compatible

Odor · CO₂ Dual Sensor · Controller

Measure indoor odor and CO₂ concentration

Visualize indoor environment

Achieve energy-saving by suppressing excessive ventilation

Improve indoor environment

- Odor detection**
- Body odor
 - Excrement odor
 - Perfume smell
 - Cigarette smell
 - Cooking odor
 - Smell of alcohol



Offices/Meeting rooms



Toilets/Restrooms



Hospitals/Nursing facilities



ODOR/CO₂ dual controller

Visualize ozone and CO₂ concentration and automatically control ventilation and ozone generators

SMA-OVC-II

Ultimate IAQ compatible

Ozone CO₂ dual sensor/controller

Measure indoor ozone and CO₂ concentration

Visualize indoor environment

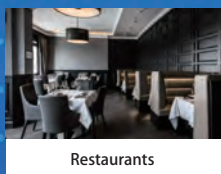
Ventilate and sterilize with proper levels (measures against infectious diseases)

Improve indoor environment

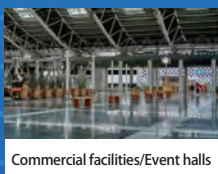
Related product: **OM-TS8**
Ozone generator/
Ceiling embedded type



Hospitals/Nursing facilities



Restaurants



Commercial facilities/Event halls



OZONE/CO₂ dual controller

C.H.C.
C.H.C. SYSTEM CO., LTD. ®

Marvel

CONTACT US

info@chcsys.net

*Please feel free to contact us with any questions before purchasing.



Product HP

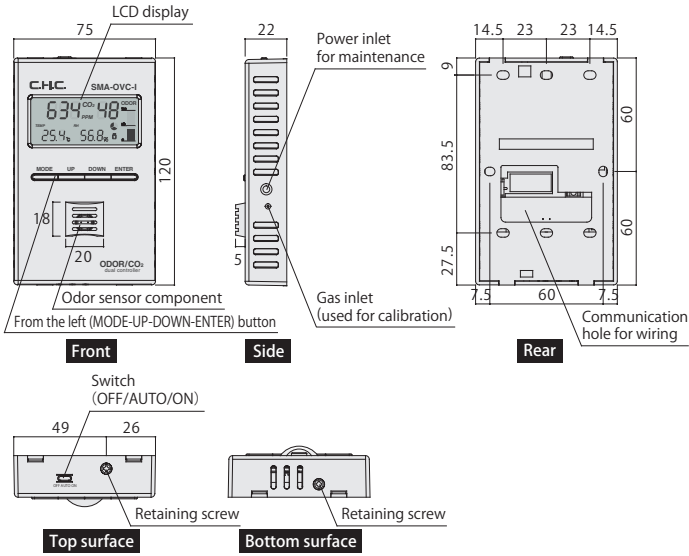
Planning, Designing, and sales: C.H.C. SYSTEM TOKYO, JAPAN

High-precision optical NDIR dual beam sensor, built-in CO₂ concentration correction (calibration) function

SMA-OVC-I Odor • CO₂ Dual Sensor • Controller

Manufacturer's recommended retail price **USD 645.00** (tax excluded)

Body size (mm)



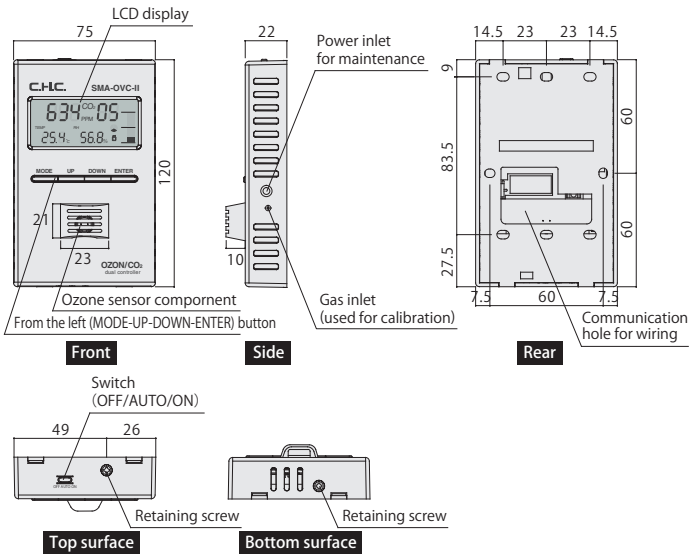
Specification table

Odor sensor	Measurement method	Metal oxide gas sensor
	Target gas	Odors such as cigarette, cooking odors, VOCs, and ammonia
	Measurement range	Converts odor intensity equivalent to 0-5 to odor value (proprietary standard) 0-99
CO ₂ sensor	Measurement method	High-Precision optical NDIR (non-dispersive infrared absorption) dual beam Sensor
	Measurement range	0-5,000 ppm
	Accuracy	CO ₂ : Within ±75 ppm or ±5% larger value (0-3,000 ppm)
	Correction (calibration) function	Built-in
Relay output (selectable)	DUAL	Operates with either odor or CO ₂ concentration
	CO ₂	Operates with CO ₂ concentration only
	ODOR	Operates with odor only
	EACH	Operates independently of odor and CO ₂ concentration
Analog output	Odor	Odor value 0-99 ⇒ 4-20mA
	CO ₂	CO ₂ concentration 0-5,000 ppm ⇒ 4-20mA
Digital output	RS-485 Modbus RTU	
Usage conditions	Temperature: 0-50°C; Humidity: 95% or less. No condensation	
Power supply	AC / DC24V	
Product warranty period	1 year	

SMA-OVC-II Ozone • CO₂ Dual Sensor • Controller

Manufacturer's recommended retail price **USD 715.00** (tax excluded)

Body size (mm)



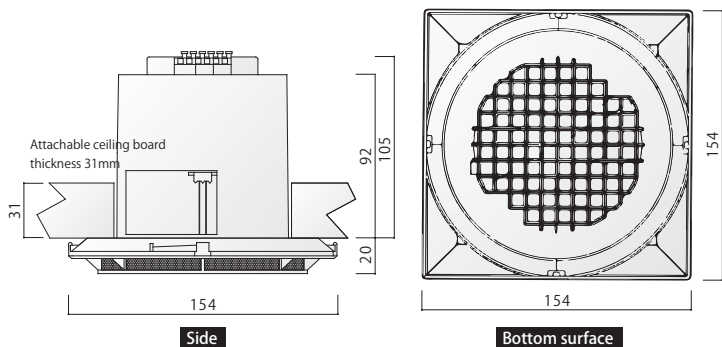
Specification table

Ozone sensor	Measurement method	Metal oxide gas sensor
	Target gas	Ozone gas
	Measurement range	0-0.50 ppm (displayed in 0.01 ppm steps)
CO ₂ sensor	Measurement method	High-Precision optical NDIR (non-dispersive infrared absorption) dual beam Sensor
	Measurement range	0-5,000 ppm
	Accuracy	CO ₂ : Within ±75ppm or ±5% larger value (0-3,000 ppm)
	Correction (calibration) function	Built-in
Relay output	2 systems of relay 1/2 (equivalent to SMA-OVC-I)	
Analog output	4-20mA output is possible for each of ozone concentration and CO ₂ concentration (equivalent to SMA-OVC-I)	
Digital output	RS-485 Modbus RTU	
Usage conditions	Temperature: 0-50°C; Humidity: 95% or less. No condensation	
Power supply	AC / DC24V	
Product warranty period	1 year	

OM-TS8 Ozone generator/Ceiling embedded type

Manufacturer's recommended retail price **USD 600.00** (tax excluded)

Body size (mm)



Specification table

Amount of ozone generated	0-30 mg/h (Set with adjustment volume)
Air flow	80-120 L/min (Set with adjustment volume)
Power supply	AC100-200V 0.025A (MAX) 50/60 Hz
Power consumption	2.5W
Effective processing range	~40m ³ (when ceiling height is 2.5m)
Ambient conditions	Temperature: 0-40°C; Humidity: No condensation
Weight	500 g (including cover)
Body external dimensions	□154mm × H125mm
Driving sound	21.6 dB

*The life varies depending on the specification space and maintenance conditions. Specifications and appearance are subject to change without permission.